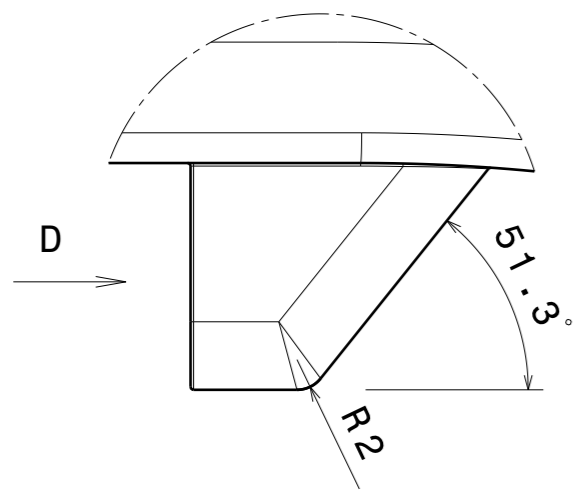
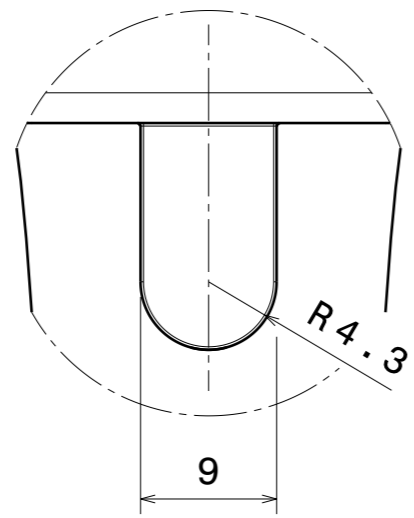


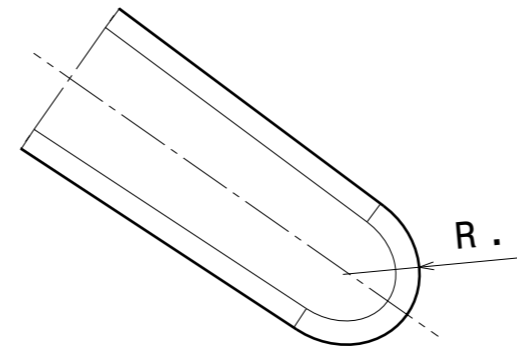
Detail Z
2:1



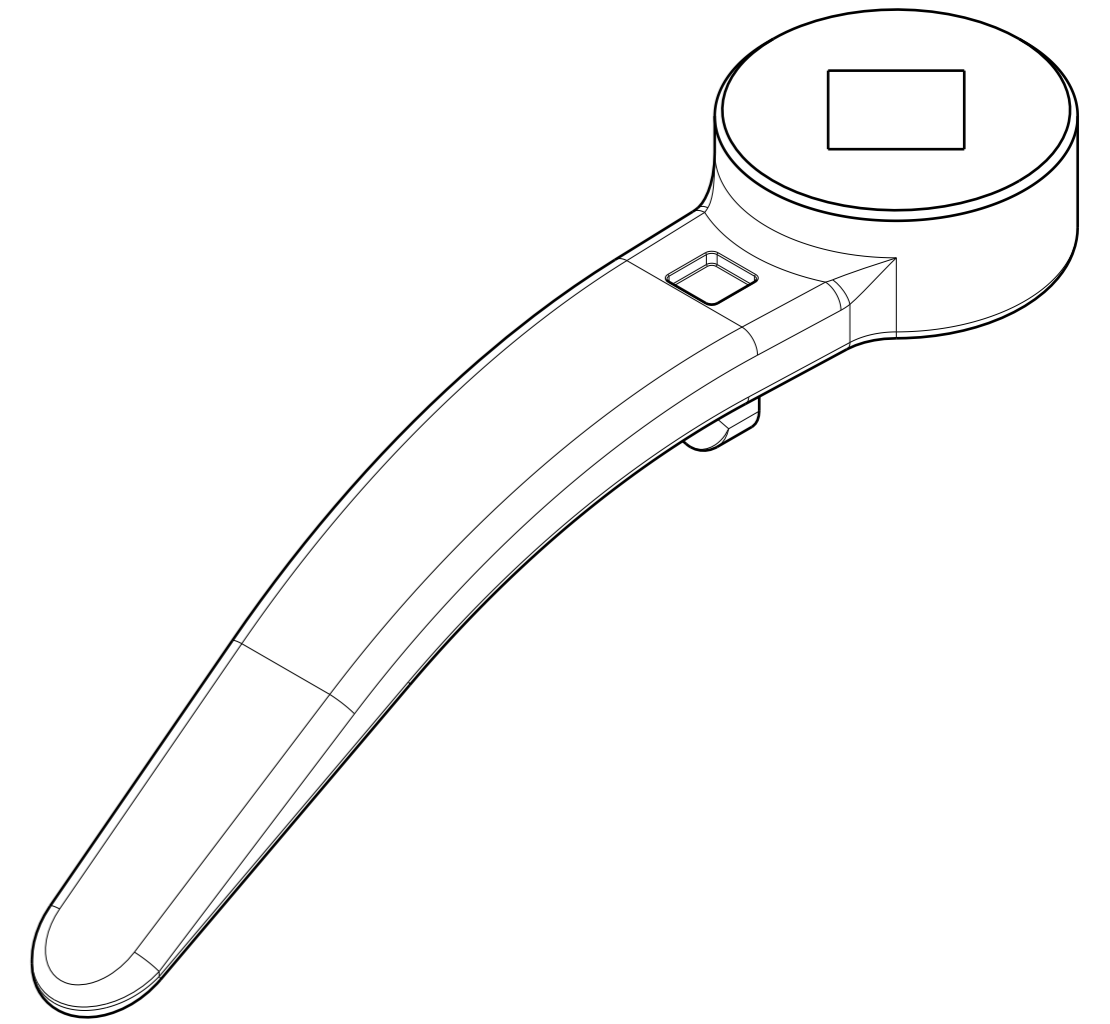
View D
2:1



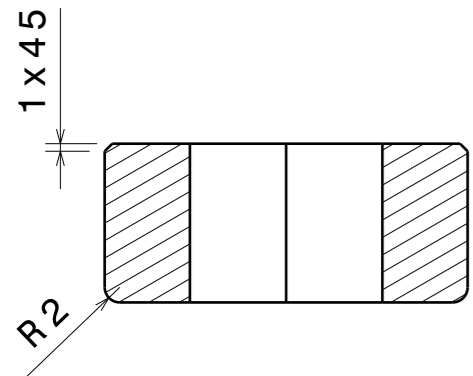
View C
1:1



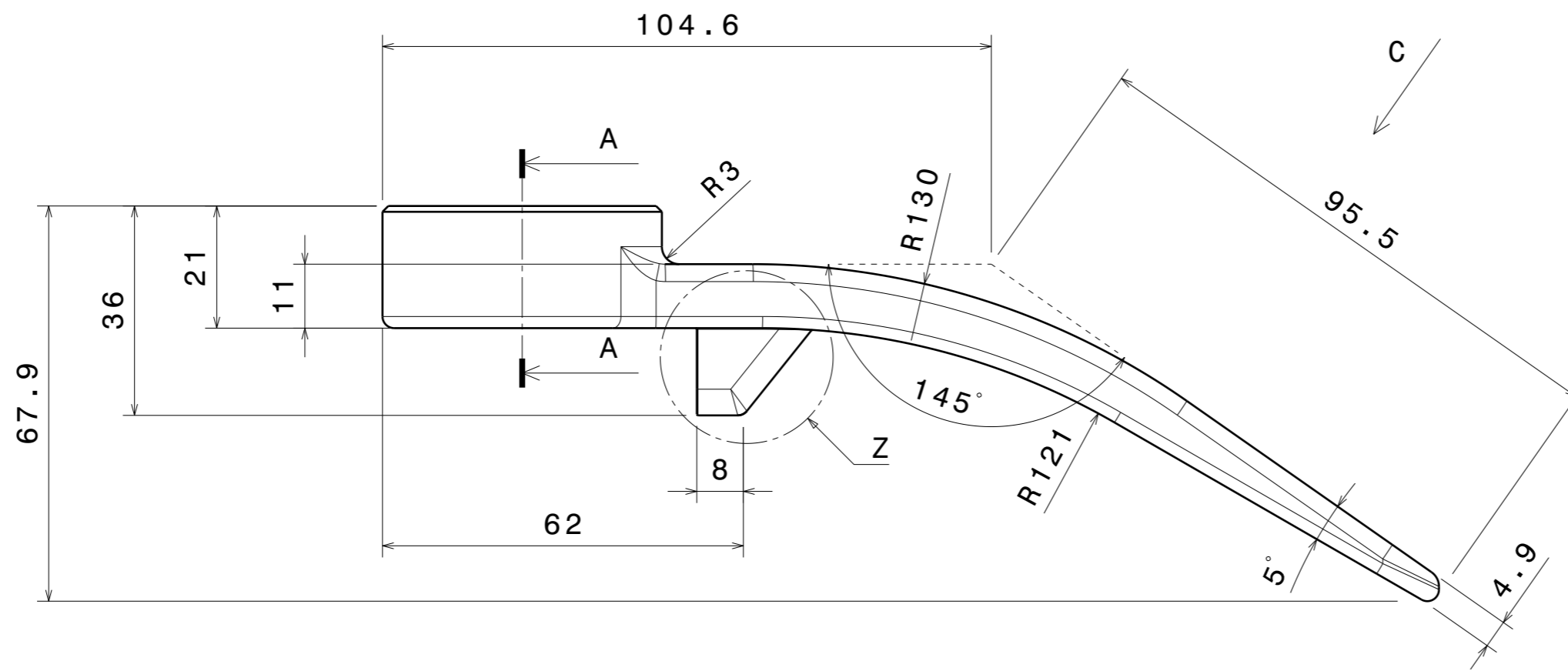
Isometric view
1:1



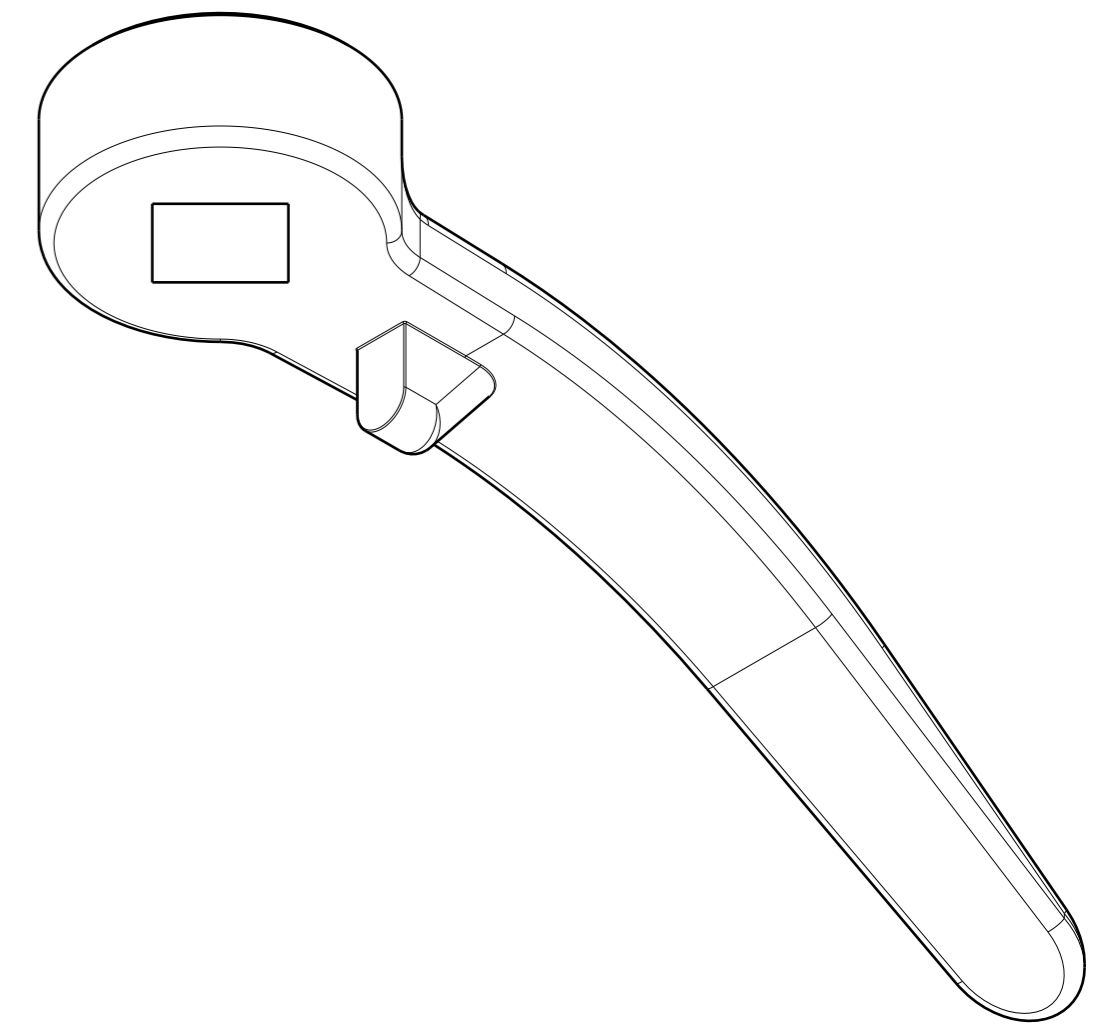
Section A-A
1:1



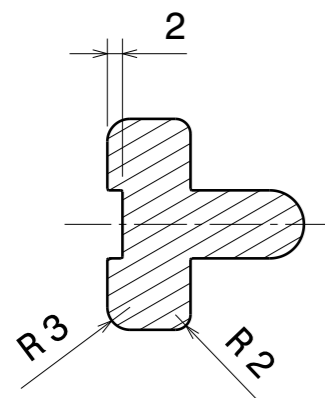
Front View
1:1



Isometric view
1:1



Section B-B
1:1



Top View
1:1

